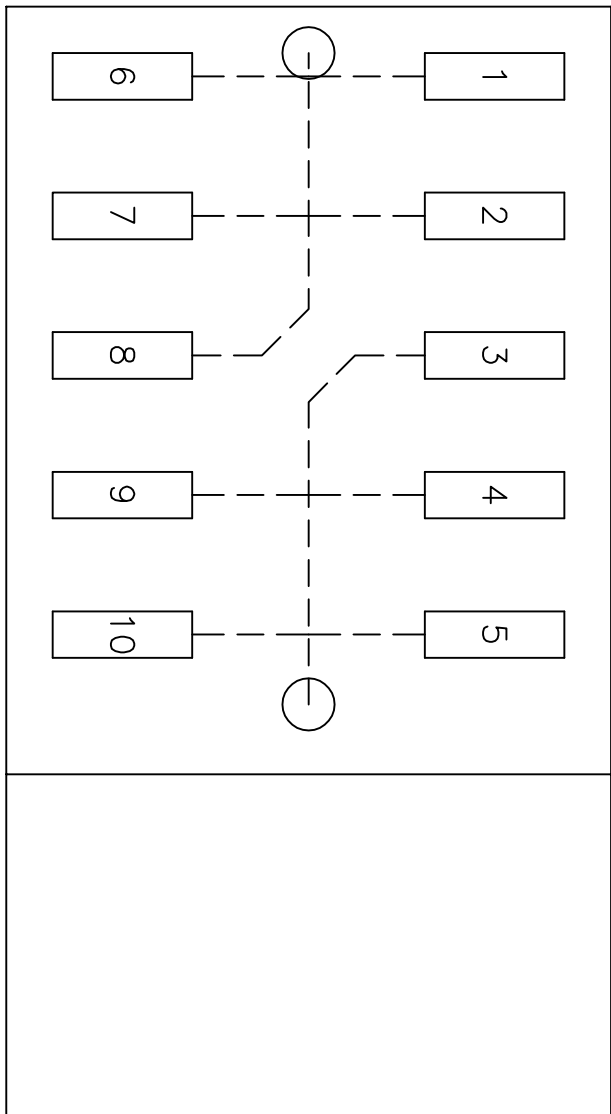


- 1 - Brake Lights
- 2 - Cooling Fan
- 3 - Ignition
- 4 - Accusump
- 5 - Diff Pump
- 6 - Fuel Pump
- 7 - Spare
- 8 - Spare
- 9 - Instruments
- 10 - Spare



J			
I			
H			
G			
F			
E			
D			
C			
B			
A			
REV.	INITIAL RELEASE	DATE	
	REVISION DESCRIPTION	APPROVED	

Cranston Racing
Race Car Wiring &
Electrical Components

THIS DRAWING AND THE INFORMATION THEREON ARE THE PROPERTY OF AND THE DISCLOSURE OF THIS DRAWING OR ITS INFORMATION SHALL NOT BE PERMITTED WITHOUT THE PERMISSION OF CRANSTON RACING

CUSTOMER:		Richard Cranston	
PROJECT:		Carbureted Race Car Wiring Diagram	
DRAWN:	SCALE:	CHECKED:	DATE:
Richard Cranston		Richard Cranston	1/20/07
PROJECT NO.:	SIZE:	DRAWING NO.:	REV.:
Example	B	FUSEPANEL-1	A